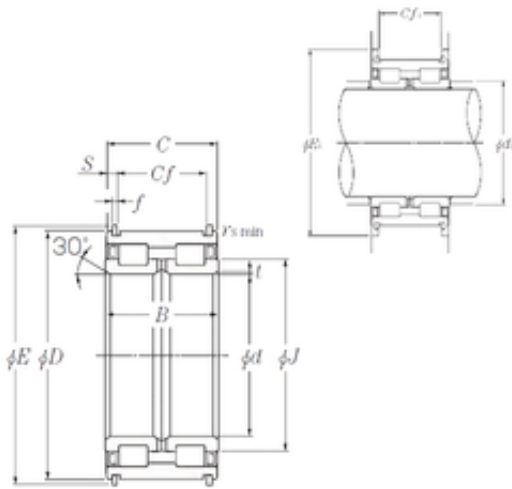




ISO BEARING-SINGAPORE (PTE)LTD.

70 mm x 110 mm x 54 mm NTN SL04-5014NR
cylindrical roller bearings

Bearing No. SL04-5014NR



SL04-5014NR Bearing 2D drawings and 3D CAD models

Size	70x110x54 mm
Bore Diameter	70 mm
Outer Diameter	110 mm
Width	54 mm
d	70 mm
D	110 mm
B	54 mm
C	53 mm
E1	130 mm
t	1 mm
f	2,5 mm
r min.	0,6 mm
E	114,5 mm
J	84,5 mm
S	5,5 mm
da	75 mm
Cf	42 mm
Cf1	42 mm
Weight	1,87 Kg
Basic dynamic load rating (C)	171 kN
Basic static load rating (C0)	285 kN
Category	Cylindrical Roller Bearings
Inventory	0.0
Manufacturer Name	NTN
Minimum Buy Quantity	N/A



ISO BEARING-SINGAPORE (PTE)LTD.

Weight / Kilogram	1.9
Product Group	B04144
Bore Profile	Straight
Cage Material	None
Precision Class	RBEC 1 ISO P0
Number of Rows of Rollers	Double Row
Separable	No
Rolling Element	Cylindrical Roller Bearing
Profile	Complete with Outer and Inner Ring
Snap Ring	Yes
Internal Clearance	C0-Medium
Retainer	No
Relubricatable	Yes
Inch - Metric	Metric
Other Features	Full Complement 3 Rib Inner Ring 1 Rib Outer Ring
Long Description	70MM Bore; Straight Bore Profile; 110MM Outside Diameter; 54MM Width; RBEC 1 ISO P0; Double Row; Not Separable; Snap Ring; Relubricatable; C0-Medium Internal Clearance; No Retainer
Category	Cylindrical Roller Bearing
UNSPSC	31171547
Harmonized Tariff Code	8482.50.00.00
Noun	Bearing
Manufacturer URL	http://www.ntnamerica.com
Manufacturer Item Number	SL04-5014NR
Weight / LBS	4.177
Outside Diameter	4.331 Inch 110 Millimeter
Bore	2.756 Inch 70 Millimeter



ISO BEARING-SINGAPORE (PTE)LTD.

Width	2.126 Inch 54 Millimeter
-------	----------------------------