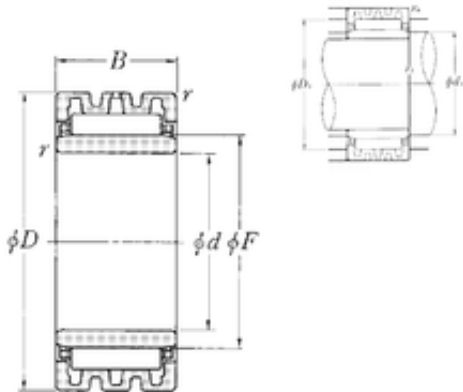




ISO BEARING-SINGAPORE (PTE)LTD.



32 mm x 52 mm x 20 mm NTN NA49/32S
needle roller bearings

Bearing No. NA49/32S

Size	32x52x20 mm
Bore Diameter	32 mm
Outer Diameter	52 mm
Width	20 mm
d	32 mm
F	40 mm
D	52 mm
B	20 mm
C	20 mm
r min.	0,6 mm
da min.	36 mm
Da max.	46 mm
ra max.	0,6 mm
Weight	0,157 Kg
Basic dynamic load rating (C)	17,6 kN
Basic static load rating (C0)	27,8 kN
(Grease) Lubrication Speed	6700 r/min

NA49/32S Bearing 2D drawings and 3D CAD models