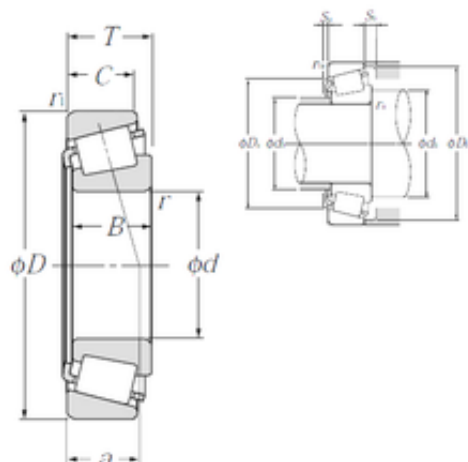




ISO BEARING-SINGAPORE (PTE)LTD.



25 mm x 62 mm x 24 mm NTN 4T-32305
tapered roller bearings

Bearing No. 4T-32305

Size	25x62x25.25 mm
Bore Diameter	25 mm
Outer Diameter	62 mm
Width	25,25 mm
d	25 mm
D	62 mm
T	25,25 mm
B	24 mm
C	20 mm
ra1 max.	1,5 mm
a	16 mm
r min.	1,5 mm
r1 min.	1,5 mm
da min.	33,5 mm
Da min	52 mm
Da max.	53,5 mm
db max.	32 mm
Db min.	57 mm
ra max.	1,5 mm
Sa	3 mm
Sb	5 mm
Weight	0,381 Kg
Basic dynamic load rating (C)	61,5 kN
Basic static load rating (C0)	64,5 kN
(Grease) Lubrication Speed	6 700 r/min

4T-32305 Bearing 2D drawings and 3D CAD models



ISO BEARING-SINGAPORE (PTE)LTD.

(Oil) Lubrication Speed	8 900 r/min
Calculation factor (e)	0,3
Calculation factor (Y0)	1,1
d1	42.5 mm
rs min	1.5 mm
r1s min	1.5 mm
e	0.3
Y2	2
Y0	1.1
Mass	0.38 kg
ISO 355 reference	T2FD025
Dynamic load, C	61.5 kN
Rating life coefficient, A2	1.4
Static load, C0	64.5 kN
Fatigue limit load, Cu	7.9 kN
Nlim (oil)	8,900 rpm
Nlim (grease)	6,700 rpm
Min operating temperature, Tmin	-40 ° C
Max operating temperature, Tmax	120 ° C
Characteristic cage frequency, FTF	0.39 Hz
Characteristic rolling element frequency, BSF	4.43 Hz
Characteristic outer ring frequency, BPF0	5.13 Hz
Characteristic inner ring frequency, BPF1	7.87 Hz
da max	32 mm
db min	33.5 mm
Da max	53.5 mm
Db min	57 mm
Ca min	3 mm



ISO BEARING-SINGAPORE (PTE)LTD.

Cb min	5 mm
ra max	1.5 mm
r1a max	1.5 mm
Category	Roller Bearings
Inventory	0.0
Manufacturer Name	NTN
Minimum Buy Quantity	N/A
Weight / Kilogram	0.375
Product Group	B04334