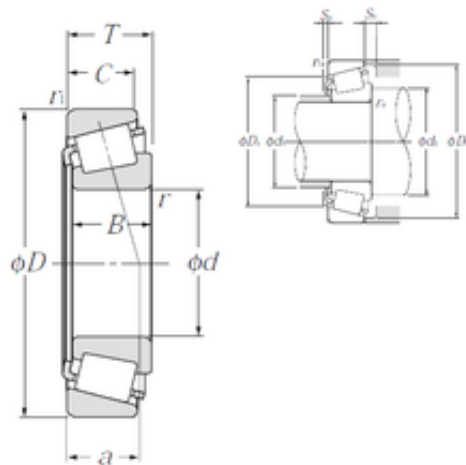




## ISO BEARING-SINGAPORE (PTE)LTD.



55 mm x 100 mm x 21 mm NTN 4T-30211  
tapered roller bearings

Bearing No. 4T-30211

4T-30211 Bearing 2D drawings and 3D CAD models

Size	55x100x22.75 mm
Bore Diameter	55 mm
Outer Diameter	100 mm
Width	22,75 mm
d	55 mm
D	100 mm
T	22,75 mm
B	21 mm
C	18 mm
ra1 max.	1,5 mm
a	21 mm
r min.	2 mm
r1 min.	1,5 mm
da min.	65 mm
Da min	88 mm
Da max.	91,5 mm
db max.	64 mm
Db min.	94 mm
ra max.	2 mm
Sa	4 mm
Sb	4,5 mm
Weight	0,74 Kg
Basic dynamic load rating (C)	93 kN
Basic static load rating (C0)	111 kN
(Grease) Lubrication Speed	3 600 r/min



## ISO BEARING-SINGAPORE (PTE)LTD.

(Oil) Lubrication Speed	4 900 r/min
Calculation factor (e)	0,4
Calculation factor (Y0)	0,81
d1	75.5 mm
rs min	2 mm
r1s min	1.5 mm
e	0.4
Y2	1.48
Y0	0.81
Mass	0.74 kg
ISO 355 reference	T3DB055
Dynamic load, C	93 kN
Rating life coefficient, A2	1.4
Static load, C0	111 kN
Fatigue limit load, Cu	13.5 kN
Nlim (oil)	4,900 rpm
Nlim (grease)	3,600 rpm
Min operating temperature, Tmin	-40 ° C
Max operating temperature, Tmax	120 ° C
Characteristic cage frequency, FTF	0.43 Hz
Characteristic rolling element frequency, BSF	6.36 Hz
Characteristic outer ring frequency, BPF0	8.09 Hz
Characteristic inner ring frequency, BRFI	10.91 Hz
da max	64 mm
db min	65 mm
Da max	91.5 mm
Db min	94 mm
Ca min	4 mm



## ISO BEARING-SINGAPORE (PTE)LTD.

Cb min	4.5 mm
ra max	2 mm
r1a max	1.5 mm
Category	Roller Bearings
Inventory	0.0
Manufacturer Name	NTN
Minimum Buy Quantity	N/A
Weight / Kilogram	0
EAN	4547359003239
Product Group	B04334