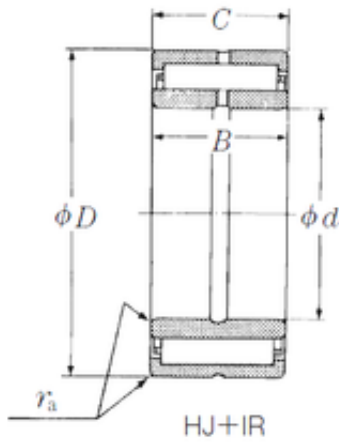




ISO BEARING-SINGAPORE (PTE)LTD.



76,2 mm x 114,3 mm x 50,8 mm NSK
HJ-567232 + IR-485632 needle roller bearings

Bearing No. HJ-567232 + IR-485632

Size	76.2x114.3x50.8 mm
Bore Diameter	76,2 mm
Outer Diameter	114,3 mm
Width	50,8 mm
d	76,2 mm
Fw	88,9 mm
D	114,3 mm
B	50,8 mm
C	50,8 mm
ra max.	2 mm
Weight	3,1 Kg
Basic dynamic load rating (C)	186 kN
Basic static load rating (C0)	370 kN

HJ-567232 + IR-485632 Bearing 2D drawings and 3D CAD models