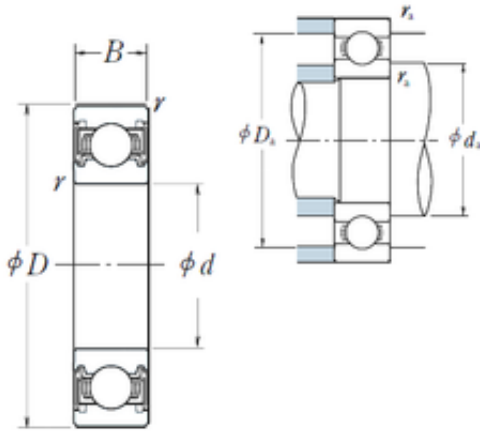




ISO BEARING-SINGAPORE (PTE)LTD.



70 mm x 100 mm x 16 mm NSK 6914VV deep groove ball bearings

Bearing No. 6914VV

6914VV Bearing 2D drawings and 3D CAD models

Size	70x100x16 mm
Bore Diameter	70 mm
Outer Diameter	100 mm
Width	16 mm
d	70 mm
D	100 mm
B	16 mm
C	16 mm
r min.	1 mm
da min.	75 mm
da max	77,5 mm
Da max.	95 mm
ra max.	1 mm
Weight	0,349 Kg
Basic dynamic load rating (C)	23,7 kN
Basic static load rating (C0)	21,2 kN
(Grease) Lubrication Speed	6 300 r/min
Category	Single Row Ball Bearings
Inventory	0.0
Manufacturer Name	NSK
Minimum Buy Quantity	N/A
Weight / Kilogram	0.334
Product Group	B00308
Enclosure	2 Seals
Precision Class	ABEC 1 ISO P0



ISO BEARING-SINGAPORE (PTE)LTD.

Maximum Capacity / Filling Slot	No
Rolling Element	Ball Bearing
Snap Ring	No
Internal Special Features	No
Cage Material	Steel
Enclosure Type	Non-Contact Seal
Internal Clearance	C0-Medium
Inch - Metric	Metric
Long Description	70MM Bore; 100MM Outside Diameter; 16MM Outer Race Diameter; 2 Seals; Ball Bearing; ABEC 1 ISO P0; No Filling Slot; No Snap Ring; No Internal Special Features
Category	Single Row Ball Bearing
UNSPSC	31171504
Harmonized Tariff Code	8482.10.50.68
Noun	Bearing
Keyword String	Ball
Manufacturer URL	http://www.nskamericas.com
Weight / LBS	2.756
Outside Diameter	3.937 Inch 100 Millimeter
Bore	2.756 Inch 70 Millimeter
Outer Race Width	0.63 Inch 16 Millimeter
bore diameter:	70 mm
static load capacity:	21200 N
outside diameter:	100 mm
precision rating:	Not Rated
overall width:	16 mm
finish/coating:	Uncoated
bore type:	Round
cage material:	Steel



ISO BEARING-SINGAPORE (PTE)LTD.

closure type:	Double Sealed
outer ring width:	16 mm
row type & fill slot:	Single Row Non-Fill Slot
fillet radius:	1 mm
internal clearance:	C0
maximum rpm:	6300 RPM
operating temperature range:	-10 to +110 ° C
series:	69
dynamic load capacity:	23700 N
SRI	4.52
hidYobi	6914VV
LangID	1
D_	100
SREX	0.02
B_	16
da min	75
hidTable	ecat_NSRDGB
SRE	4.52
mass	0.349
GRS rpm	6300
ra	1
SRIX	0.02
D_a	95
SRIN	-0.02
C0	21.2
fo	16.3
SREN	-0.02
DE_	93.731
Prod_Type3	DGBB_SR_VV
DA_	8.731
bomp	0



ISO BEARING-SINGAPORE (PTE)LTD.

Z_	17
yobi	6914VV
C_conv	23700
ALPHA_	0
SDM_	85
r	1
KBRG	6151
SBRG	19
DI_	76.269