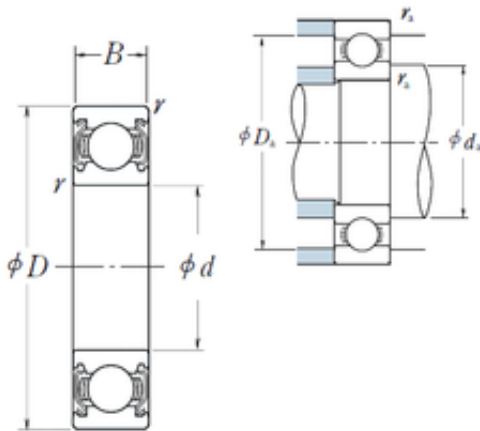




# ISO BEARING-SINGAPORE (PTE)LTD.



140 mm x 175 mm x 18 mm NSK 6828ZZ deep groove ball bearings

Bearing No. 6828ZZ

6828ZZ Bearing 2D drawings and 3D CAD models

Size	140x175x18 mm
Bore Diameter	140 mm
Outer Diameter	175 mm
Width	18 mm
d	140 mm
D	175 mm
B	18 mm
C	18 mm
r min.	1,1 mm
da min.	146,5 mm
da max	148,5 mm
Da max.	168,5 mm
ra max.	1 mm
Weight	0,832 Kg
Basic dynamic load rating (C)	38,5 kN
Basic static load rating (C0)	48 kN
(Grease) Lubrication Speed	3 400 r/min
Category	Single Row Ball Bearings
Inventory	0.0
Manufacturer Name	NSK
Minimum Buy Quantity	N/A
Weight / Kilogram	0.86
Product Group	B00308
Enclosure	2 Metal Shields
Precision Class	ABEC 1   ISO P0



## ISO BEARING-SINGAPORE (PTE)LTD.

Maximum Capacity / Filling Slot	No
Rolling Element	Ball Bearing
Snap Ring	No
Internal Special Features	No
Cage Material	Steel
Internal Clearance	C0-Medium
Inch - Metric	Metric
Long Description	140MM Bore; 175MM Outside Diameter; 18MM Outer Race Width; 2 Metal Shields; Ball Bearing; ABEC 1   ISO P0; No Filling Slot; No Snap Ring; No Internal Special Features; C0-Medium Internal Clearance; St
Other Features	Deep Groove
Category	Single Row Ball Bearing
UNSPSC	31171504
Harmonized Tariff Code	8482.10.50.68
Noun	Bearing
Keyword String	Ball
Manufacturer URL	<a href="http://www.nskamericas.com">http://www.nskamericas.com</a>
Weight / LBS	1.8346
Bore	5.512 Inch   140 Millimeter
Outer Race Width	0.709 Inch   18 Millimeter
Inner Race Width	0 Inch   0 Millimeter
Outside Diameter	6.89 Inch   175 Millimeter
SRI	5.34
hidYobi	6828ZZ
LangID	1
D_	175
SREX	0.025



## ISO BEARING-SINGAPORE (PTE)LTD.

B_	18
da min	146.5
hidTable	ecat_NSRDGB
SRE	5.34
mass	0.832
GRS rpm	3400
ra	1
SRIX	0.025
D_a	168.5
SRIN	-0.025
C0	48
fo	17.3
SREN	-0.025
DE_	167.819
Prod_Type3	DGBB_SR_ZZ
DA_	10.319
bomp	0
Z_	26
yobi	6828ZZ
C_conv	38500
ALPHA_	0
SDM_	157.5
r	1.1
KBRG	6141
SBRG	18
DI_	147.181