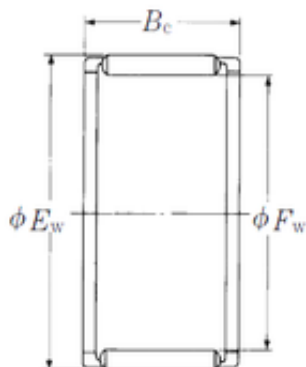




ISO BEARING-SINGAPORE (PTE)LTD.

NSK FWF-222613 needle roller bearings



Bearing No. FWF-222613

Bore Diameter	22 mm
Outer Diameter	26 mm
Fw	22 mm
Ew	26 mm
Bc	13 mm
Weight	0,0079 Kg
Basic dynamic load rating (C)	10,3 kN
Basic static load rating (C0)	15,3 kN
(Grease) Lubrication Speed	12000 r/min
hidYobi	FWF-222613
LangID	1
Prod_Type3	NRB_CNRA_FWF-FWJ
d	22
D_	26
DA_	2
Z_	21
C	10.3
B_	13
hidTable	ecat_NSCRA
yobi	FWF-222613
mass	7.9
GRS rpm	12000
OIL rpm	19000
SDM_	24
KBRG	8113
C0	15.3

FWF-222613 Bearing 2D drawings and 3D CAD models



ISO BEARING-SINGAPORE (PTE)LTD.

SLR	9.8
-----	-----