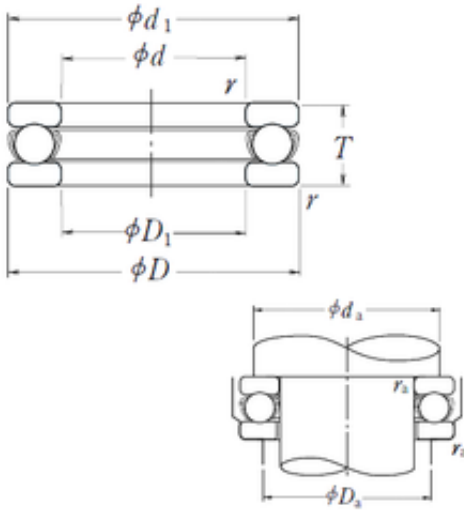




# ISO BEARING-SINGAPORE (PTE)LTD.



51432X Bearing 2D drawings and 3D CAD models

## NSK 51432X thrust ball bearings

Bearing No. 51432X

Size	160x320x130 mm
Bore Diameter	160 mm
Outer Diameter	320 mm
Width	130 mm
d	160 mm
D	320 mm
T	130 mm
d1	315 mm
r min.	5 mm
D1	164 mm
da min.	254 mm
Da max.	226 mm
ra max.	4 mm
Weight	52,7 Kg
Basic dynamic load rating (C)	650 kN
Basic static load rating (C0)	2210 kN
(Grease) Lubrication Speed	450 r/min
SRI	30.8
hidYobi	51432X
LangID	1
D_	320
SREX	0.21
C	650
B_	130
hidTable	ecat_NSSDTB
Oil rpm	670



## ISO BEARING-SINGAPORE (PTE)LTD.

SRE	30.8
mass	52.7
GRS rpm	450
ra	4
SRIX	0.21
D_a	226
SRIN	0
C0	2210
SREN	0
D_1	164
Prod_Type3	TB_SD_WFS
da	254
DA_	57.15
Z_	11
yobi	51432X
SDM_	240
r	5
T_	130
KBRG	511