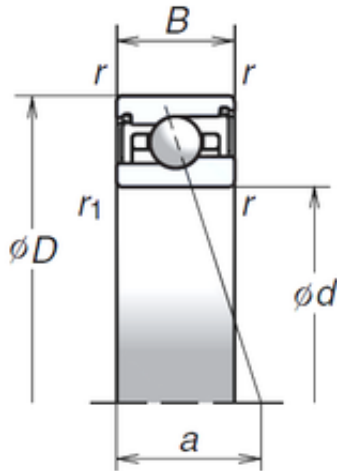




ISO BEARING-SINGAPORE (PTE)LTD.



75 mm x 105 mm x 19 mm NSK 75BER29XV1V
angular contact ball bearings

Bearing No. 75BER29XV1V

Size	75x105x19 mm
Bore Diameter	75 mm
Outer Diameter	105 mm
Width	19 mm
d	75 mm
D	105 mm
B	19 mm
C	19 mm
Angle ()	25 °
a	30,5 mm
r min.	1 mm
r1 min.	0,6 mm
Weight	0,365 Kg
Basic dynamic load rating (C)	20,7 kN
Basic static load rating (C0)	18,2 kN
(Grease) Lubrication Speed	21 200 r/min

75BER29XV1V Bearing 2D drawings and 3D CAD models