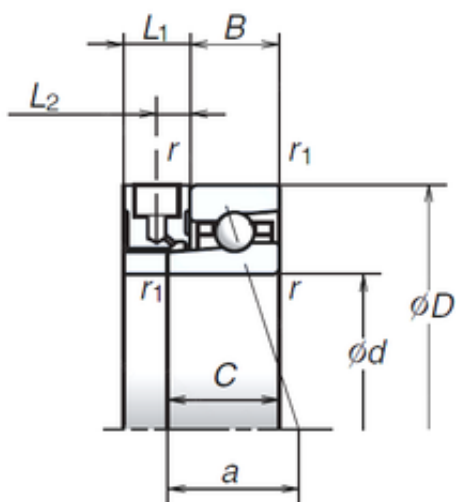




ISO BEARING-SINGAPORE (PTE)LTD.



95 mm x 130 mm x 18 mm NSK 95BNR19XE
angular contact ball bearings

Bearing No. 95BNR19XE

Size	95x130x18 mm
Bore Diameter	95 mm
Outer Diameter	130 mm
Width	18 mm
d	95 mm
D	130 mm
B	18 mm
C	23 mm
L2	7,5 mm
Angle (°)	18 °
a	33,3 mm
r min.	1,1 mm
r1 min.	0,6 mm
L1	15 mm
Weight	0,589 Kg
Basic dynamic load rating (C)	35,5 kN
Basic static load rating (C0)	34,5 kN
(Grease) Lubrication Speed	29 400 r/min

95BNR19XE Bearing 2D drawings and 3D CAD models