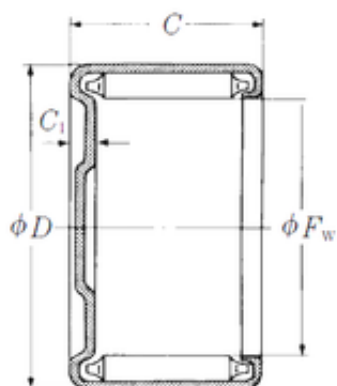




ISO BEARING-SINGAPORE (PTE)LTD.

NSK MH-22161 needle roller bearings



Bearing No. MH-22161

Dimensione	34.925x44.45x25.4 mm
Marchio	NSK
Diametro del foro	34,925 mm
Diametro esterno	44,45 mm
Larghezza	25,4 mm
Fw	34,925 mm
D	44,45 mm
C	25,4 mm
C2	3 mm
Peso	0,095 Kg
Carico dinamico di base (C)	46 kN

MH-22161 Bearing 2D drawings and 3D CAD models