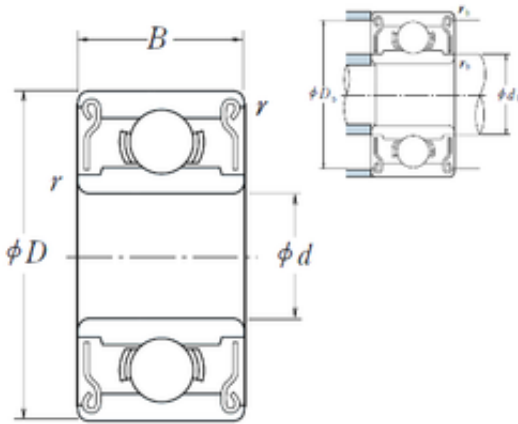




ISO BEARING-SINGAPORE (PTE)LTD.

19.05 mm x 41,275 mm x 11,1125 mm NSK
R12ZZ deep groove ball bearings



R12ZZ Bearing 2D drawings and 3D CAD models

Bearing No. R12ZZ

Size	19.05x41.275x11.1125 mm
Bore Diameter	19.05 mm
Outer Diameter	41,275 mm
Width	11,1125 mm
d	19.05 mm
D	41,275 mm
B	11,1125 mm
C	11,1125 mm
r min.	0,8 mm
Weight	0,054 Kg
Basic dynamic load rating (C)	9,42469179917813 kN
Basic static load rating (C0)	5,00268000714669 kN
Category	Single Row Ball Bearings
Inventory	0.0
Manufacturer Name	NSK
Minimum Buy Quantity	N/A
Weight / Kilogram	0.03
Product Group	B00308
Enclosure	2 Metal Shields
Precision Class	ABEC 1 ISO P0
Maximum Capacity / Filling Slot	No
Rolling Element	Ball Bearing
Snap Ring	No
Internal Special Features	No



ISO BEARING-SINGAPORE (PTE)LTD.

Cage Material	Steel
Internal Clearance	C0-Medium
Inch - Metric	Inch
Long Description	3/4" Bore; 1-5/8" Outside Diameter; 7/16" Outer Race Width; 2 Metal Shields; Ball Bearing; ABEC 1 ISO P0; No Filling Slot; No Snap Ring; No Internal Special Features
Category	Single Row Ball Bearing
UNSPSC	31171504
Harmonized Tariff Code	8482.10.50.68
Noun	Bearing
Keyword String	Ball
Manufacturer URL	http://www.nskamericas.com
Manufacturer Item Number	R12ZZ
Weight / LBS	0.065
Outside Diameter	1.625 Inch 41.275 Millimeter
Outer Race Width	0.438 Inch 11.125 Millimeter
Bore	0.75 Inch 19.05 Millimeter
bore diameter:	0.7500 in
dynamic load capacity:	2110 lb
outside diameter:	1.6250 in
static load capacity:	1120 lbs
overall width:	0.4375 in
precision rating:	Not Rated
bore type:	Round
finish/coating:	Uncoated
closure type:	Double Shielded
cage material:	Steel
row type & fill slot:	Single Row Non-Fill Slot



ISO BEARING-SINGAPORE (PTE)LTD.

outer ring width:	7/16 in
internal clearance:	C0
maximum rpm:	20000 RPM
operating temperature range:	-10 to +110 ° C
series:	R