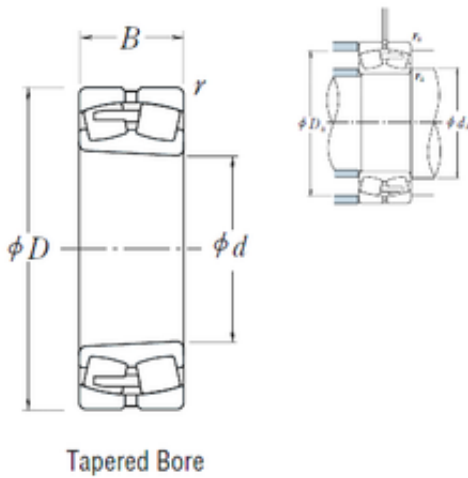




# ISO BEARING-SINGAPORE (PTE)LTD.

320 mm x 580 mm x 208 mm NSK  
23264CAKE4 spherical roller bearings

Bearing No. 23264CAKE4



23264CAKE4 Bearing 2D drawings and 3D CAD models

Size	320x580x208 mm
Bore Diameter	320 mm
Outer Diameter	580 mm
Width	208 mm
d	320 mm
D	580 mm
B	208 mm
C	208 mm
r min.	5 mm
da min.	342 mm
Da min	488 mm
Da max.	558 mm
ra max.	4 mm
Weight	239 Kg
Basic dynamic load rating (C)	3900 kN
Basic static load rating (C0)	6900 kN
(Grease) Lubrication Speed	450 r/min
(Oil) Lubrication Speed	600 r/min
Calculation factor (e)	0,36
Calculation factor (Y0)	1,8
Calculation factor (Y2)	2,8