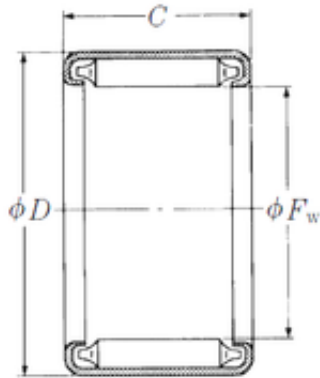




ISO BEARING-SINGAPORE (PTE)LTD.

NSK B-2412 needle roller bearings



Bearing No. B-2412

Size	38.1x47.625x19.05 mm
Bore Diameter	38,1 mm
Outer Diameter	47,625 mm
Width	19,05 mm
Fw	38,1 mm
D	47,625 mm
C	19,05 mm
Weight	0,069 Kg
Basic dynamic load rating (C)	35 kN

B-2412 Bearing 2D drawings and 3D CAD models