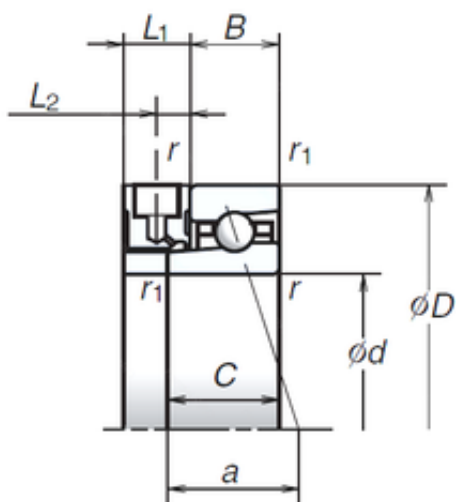




ISO BEARING-SINGAPORE (PTE)LTD.



70 mm x 100 mm x 16 mm NSK 70BER19XE
angular contact ball bearings

Bearing No. 70BER19XE

| | |
|-------------------------------|--------------|
| Size | 70x100x16 mm |
| Bore Diameter | 70 mm |
| Outer Diameter | 100 mm |
| Width | 16 mm |
| d | 70 mm |
| D | 100 mm |
| B | 16 mm |
| C | 21 mm |
| L2 | 7,5 mm |
| Angle (°) | 25 ° |
| a | 32,8 mm |
| r min. | 1 mm |
| r1 min. | 0,6 mm |
| L1 | 15 mm |
| Weight | 0,328 Kg |
| Basic dynamic load rating (C) | 20,4 kN |
| Basic static load rating (C0) | 17,3 kN |
| (Grease) Lubrication Speed | 35 300 r/min |

70BER19XE Bearing 2D drawings and 3D CAD models