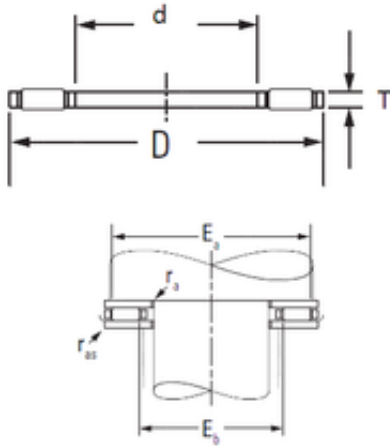




ISO BEARING-SINGAPORE (PTE)LTD.

KOYO AXK5578 needle roller bearings



Bearing No. AXK5578

| | |
|-------------------------------|-----------------|
| Size | 55x78x3 mm |
| Bore Diameter | 55 mm |
| Outer Diameter | 78 mm |
| Width | 3 mm |
| d | 55 mm |
| D | 78 mm |
| T | 3 mm |
| ra max. | 0.6 mm |
| Ea | 76.0 mm |
| Eb | 60.0 mm |
| Weight | 0.026 Kg |
| Basic dynamic load rating (C) | 39.4 kN |
| Basic static load rating (C0) | 195.0 kN |
| Category | Roller Bearings |
| Inventory | 0.0 |
| Manufacturer Name | KOYO |
| Minimum Buy Quantity | N/A |
| Weight / Kilogram | 0.029 |
| Product Group | B04144 |
| Bearing No. | AXK5578 |
| Dc1 | 55 |
| Dc | 78 |
| Dw | 3 |
| Ca | 39.4 |
| C0a | 195.0 |
| Cu | 20.5 |

AXK5578 Bearing 2D drawings and 3D CAD models



ISO BEARING-SINGAPORE (PTE)LTD.

| | |
|---------------------------------------|----------|
| Oil lub. | 5300 |
| ra(max) | 0.6 |
| (Refer.)Mass(kg) | 0.026 |
| D,d1 | 78 |
| D1 | 57 |
| h1 | 1.00 mm |
| Washer designation | AS5578 |
| (Refer.)Mass(kg) | 0.018 |
| h | 5.00 mm |
| a | 1.00 mm |
| Washer designation | LS5578 |
| (Refer.)Mass(kg) | 0.0910 |
| h | 5.00 mm |
| rs(min) | 0.60 |
| Washer designation Shaft piloted | WS.81111 |
| Washer designation Housing piloted | GS.81111 |
| (Refer.)Mass(kg) | 0.094 |