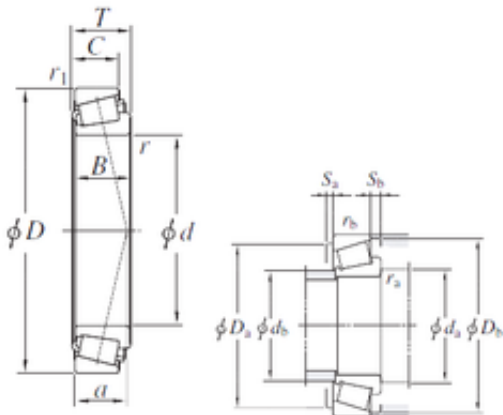




# ISO BEARING-SINGAPORE (PTE)LTD.

100 mm x 180 mm x 63 mm KOYO 33220JR tapered roller bearings



Bearing No. 33220JR

33220JR Bearing 2D drawings and 3D CAD models

Size	100x180x63 mm
Bore Diameter	100 mm
Outer Diameter	180 mm
Width	63 mm
d	100 mm
D	180 mm
T	63 mm
B	63 mm
C	48 mm
a	45,7 mm
r min.	3 mm
r1 min.	2,5 mm
r2 min.	2,5 mm
da min.	114 mm
da max	112 mm
Da min	151 mm
Da max.	168 mm
db max.	112 mm
Db min.	172 mm
ra max.	2,5 mm
rb max.	2 mm
Db	172 mm
Weight	6,92 Kg
Basic dynamic load rating (C)	431 kN
Basic static load rating (C0)	680 kN



## ISO BEARING-SINGAPORE (PTE)LTD.

(Grease) Lubrication Speed	2100 r/min
(Oil) Lubrication Speed	2800 r/min
Calculation factor (e)	0,4
Calculation factor (Y0)	0,82
Category	Tapered Roller Bearing Assemblies
Inventory	0.0
Manufacturer Name	KOYO
Minimum Buy Quantity	N/A
Weight / Kilogram	7.48
EAN	0605790023576
Product Group	B04334
Precision Class	Standard
Component	Assembly
Basic Number	33220
Number of Tapered Rows	Single Row
Inch - Metric	Metric
Other Features	High Load Capacity
Long Description	Assembly; Standard Precision; 100MM Bore; 180MM Outside Diameter; 63MM Assembly Width; Single Row of Rollers
Category	Tapered Roller Bearings Assembly
UNSPSC	31171516
Harmonized Tariff Code	8482.20.00.00
Noun	Bearing
Keyword String	Tapered
Manufacturer URL	<a href="http://www.koyousa.com">http://www.koyousa.com</a>
Manufacturer Item Number	33220JR
Weight / LBS	15.256
Bore	3.937 Inch   100 Millimeter
Outside Diameter	7.087 Inch   180 Millimeter



## ISO BEARING-SINGAPORE (PTE)LTD.

Assembly Width	2.48 Inch   63 Millimeter
Flange Outside Diameter	0 Inch   0 Millimeter
Bearing No.	33220JR
r(min)	3
r1(min)	2.5
Cr	540
C0r	680
Cu	85.8
Grease lub.	2100
Oil lub.	2800
a	45.7 mm
da(min)	114
db(max)	112
Da(max)	168
Da(min)	151
Db(min)	172
Sa(min)	10
Sb(min)	15
ra(max)	2.5
rb(max)	2
e	0.40
Y1	1.48
Y0	0.82
(Refer.)Mass(kg)	6.92