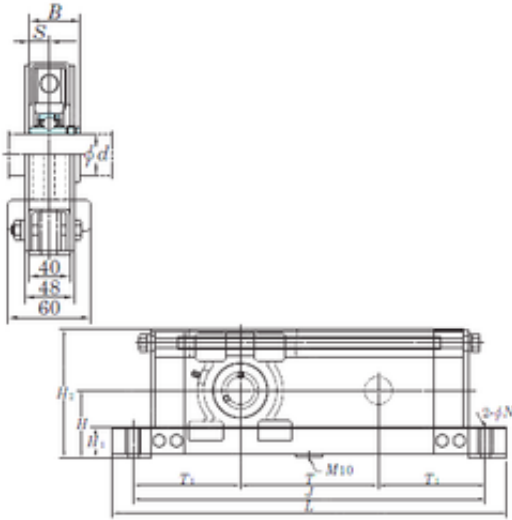




ISO BEARING-SINGAPORE (PTE)LTD.



KOYO UCTL205-100 bearing units

Bearing No. UCTL205-100

Bore Diameter	25 mm
Width	34,1 mm
d	25 mm
T1	140 mm
B	34,1 mm
H	82 mm
H1	44 mm
H2	156 mm
J	380 mm
L	440 mm
N	15 mm
S	14,3 mm
T	100 mm
Bolt (G)	M12
Weight	7 Kg
Basic dynamic load rating (C)	14 kN
Basic static load rating (C0)	7,85 kN

UCTL205-100 Bearing 2D drawings and 3D CAD models