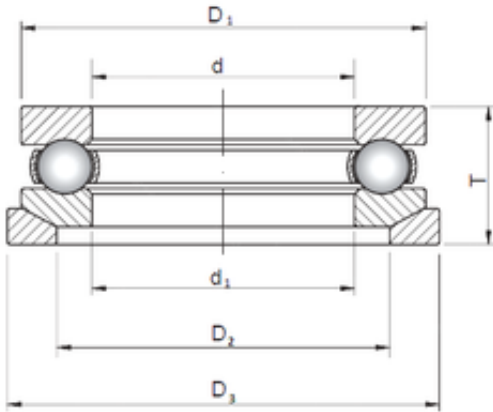




ISO BEARING-SINGAPORE (PTE)LTD.

ISO 53413U+U413 thrust ball bearings

Bearing No. 53413U+U413



| | |
|----------------|--------|
| Bore Diameter | 65 mm |
| Outer Diameter | 140 mm |
| d | 65 mm |
| d1 | 68 mm |
| D | 140 mm |
| D1 | 140 mm |
| T | 65 mm |
| D2 | 100 mm |
| D3 | 145 mm |

53413U+U413 Bearing 2D drawings and 3D CAD models