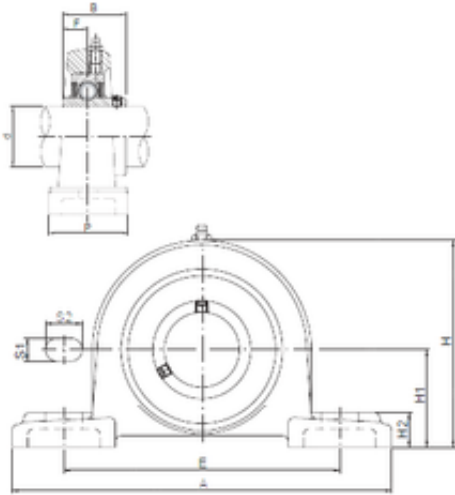




ISO BEARING-SINGAPORE (PTE)LTD.



UCP211 Bearing 2D drawings and 3D CAD models

ISO UCP211 bearing units

Bearing No. UCP211

Bore Diameter	55 mm
d	55 mm
S1	20 mm
P	60 mm
A	219 mm
B	55,6 mm
E	171 mm
F	22,2 mm
H	125 mm
H1	63,5 mm
H2	23 mm
S2	23 mm
Bolt (G)	M16